



## Notice

The information in this user's manual is subject to change without notice.

THE MANUFACTURER OR RESELLER SHALL NOT BE LIABLE FOR ERRORS OR OMISSIONS CONTAINED IN THIS MANUAL AND SHALL NOT BE LIABLE FOR ANY CONSEQUENTIAL DAMAGES WHICH MAY RESULT FROM THE PERFORMANCE OR USE OF THIS MANUAL.

The information in this user's manual is protected by copyright laws. No part of this manual may be photocopied or reproduced in any form without prior written authorization from the copyright owners.

Copyright January, 2006  
All rights reserved.

Microsoft and Windows are registered trademarks of Microsoft Corporation. DOS, Windows 95/98/ME/2000/NT/XP/Vista are trademarks of Microsoft Corporation.

Product names mentioned herein may be trademarks and/or registered trademarks of their respective owners/companies.

The software described in this manual is delivered under a license agreement. The software may be used or copied only in accordance with the terms of the agreement.

This product incorporates copyright protection technology that is protected by U.S. patents and other intellectual property rights. Use of this copyright protection technology must be authorized by Macrovision, and is intended for home and other limited viewing uses only unless otherwise authorized by Macrovision. Reverse engineering or disassembly is prohibited.





## TABLE OF CONTENTS

### PREFACE

- Symbols and Conventions
- Protecting Your Computer - Avoid Abusive Handling and Adverse Environments
- Chapter Summaries

### 1. GETTING TO KNOW THE BASICS

- Performance Features (10)
- System at a Glance (12)
- Top View (12)
- Front and Rear Views (15)
- Side Views (17)
- Bottom View (20)
- AC Adapter (23)
- LED Status Indicators (24)
- Keyboard Features (25)
- Function (Quick) Keys (25)
- Windows Keys (26)
- Embedded Numeric Keypad (26)
- Touch Pad (27)
- Graphics Subsystem (28)
- Adjusting the Display Brightness (28)
- Extending the Life of the TFT Display Panel (28)
- Opening and Closing the Display Panel (28)
- Audio Subsystem (29)
- Adjusting the Volume in Windows (29)
- Voice Recording (29)
- Modem and Modem Setting (29)





## 2. BIOS SETUP AND SECURITY

Entering the BIOS Setup Screen (33)

Leaving the BIOS Setup Screen (33)

BIOS Action Keys (33)

Modifying the BIOS Settings (34)

Main Setup (34)

Boot Setup (34)

Security Setup (36)

Power Setup (37)

Exit Setup (37)

## 3. BATTERY POWER & POWER MANAGEMENT

The Battery Pack (39)

Lithium-Ion Battery Technology (39)

Battery Low-Power Warning (39)

Installing and Removing the Battery Pack (41)

Charging the Battery and Charging Time (42)

Checking the Battery Level (42)

Prolonging the Battery's Life and Usage Cycles (43)

Using Windows Power Options (44)

Windows' Power Schemes (44)

Suspend Modes (46)

Power Button Action (47)

Low Battery Warning (48)

Power Menu Quick Access (49)

Windows' Power Plans (50)

Suspend Modes (52)

Power Button Action (53)

Low Battery Warning (54)

Power Menu Quick Access (55)





## 4. UPGRADING YOUR COMPUTER

Upgrading the Hard Disk Drive (57)

Upgrading the System Memory (60)

Installing a memory module (DIMM) into the system (61)

Adding a Mini-PCI Type Wireless LAN Card (Optional Device) (63)

Installing a Mini PCI Card to the System (64)

## 5. TROUBLESHOOTING

First Step (67)

Audio Problems (68)

Hard Disk Problems (69)

Optical Drive Problems (71)

Display Problems (72)

Keyboard and Mouse Problems (73)

CMOS Battery Problems (74)

Memory Problems (74)

Modem Problems (75)

Network Adapter / Ethernet Problems (76)

PC Card / PCMCIA Problems (77)

Performance Problems (78)

Firewire (IEEE1394) and USB2.0 Problems (79)

APPENDIX A Product Specification (80)

APPENDIX B Agency Regulatory Notices (85)





## Preface

### Using This Manual

This User's Manual contains general information about the hardware and software setup, troubleshooting, and technical specifications of the notebook computer.

### Symbols and Conventions

The following conventions and symbols are used in this manual:

- When keys are to be pressed at the same time, a plus (+) symbol is used. For instance, Fn+F7 means holding Fn and F7 keys at the same time.
- When a series of clicking actions is needed in the Windows O/S, [ ] and > symbols are used. For instance, [Start > Settings > Control Panel > Display] means clicking the Start icon first, then the Settings, then the Control Panel, then the Display icon.
- When you need to make a selection with the touch pad (or mouse), you will be asked to 'select', 'click', 'double-click', or 'right-click' the item.

**Note:** Text in this format and symbol indicates specific instructions, commentary, sidelights, or any additional information or notes that you should be aware of.

**Warning:** Text in this format and symbol indicates that failure to comply with the given instructions or information could result in damage to your computer or could cause bodily harm or loss of life.



### Protecting Your Computer - Avoid Abusive Handling and Adverse Environments

Following the advice below will help ensure that you get the most out of your investment.

#### Your computer will serve you well if you take good care of it.

- Do not expose the computer to direct sunlight or place it near sources of heat.
- Do not subject it to temperatures below 0oC (32oF) or above 35oC (95oF).
- Do not expose the computer to magnetic fields.
- Do not expose the computer to moisture or rain.
- Do not spill water or liquid on the computer.
- Do not subject the computer to adverse shock and vibration.
- Do not expose the computer to dust and dirt.
- Do not place objects on top of the computer to avoid damaging the computer.
- Do not place the computer on rocky surfaces.

#### Here are some ways of taking care of your AC adapter.

- Do not connect the adapter to any devices other than your computer.
- Do not let water get into the adapter.
- Do not block the ventilation airway of the adapter.
- Keep the adapter in a cool and ventilated place.
- Do not step on the power cord or place heavy objects on top of it.
- Carefully tuck away the power cord and any cables away from pedestrian traffic.
- When unplugging the power cord, do not pull on the cord itself. Instead pull on the plug.
- Keep the adapter away from children.
- The total ampere ratings of the equipment plugged in should not exceed the ampere rating of the cord if you are using an extension cord.
- The total current rating of all equipment plugged into a single wall outlet should not exceed the fuse rating.
- Do not connect the other AC adapter to your notebook. This notebook exclusively uses the AC adapter: Liteon PA-1900-05 (90W), Liteon PA-1900-06 (90W), Lishin LSE0202D2090 (90W), Lishin LSE0202C2090(90W)





## When cleaning the computer, observe these steps:

1. Power off the computer and remove the battery pack.
2. Disconnect the AC adapter.
3. Use a soft cloth dampened with water. Do not use liquid or aerosol cleaners.

## Contact your dealer or see your service technician if any of the following occurs:

- Computer has been dropped or the body has been damaged.
- Liquid has been spilled into the computer.
- The computer does not operate normally.

## Cleaning the Ventilation Grills:

It is suggested that you clean the ventilation grills regularly to maintain optimal thermal regulation of the notebook. To do this, you may use a soft brush or a vacuum cleaner (with appropriate head adapter) to remove the dust buildup on the ventilation grills.





### Chapter Summaries

The following is a summary of the available chapters and appendices in this manual.

#### Chapter 1: Getting to Know the Basics

In this chapter, you will learn the basic operations and features of your computer. It gives you a general understanding of the components of your computer.

#### Chapter 2: BIOS Setup / Security

In this chapter, you will learn how to change various firmware settings and what the settings mean. Also, you will learn how to take advantage of the built-in security feature provided by the BIOS.

#### Chapter 3: Battery Power & Power Management

In this chapter, you will learn the fundamentals of power management and how to use them to achieve longer battery life.

#### Chapter 4: Upgrading Your Computer

In this chapter, you will learn how to upgrade the system memory and the hard disk drive, and how to install wireless mini PCI card.

#### Chapter 5: Trouble-Shooting

In this chapter, you will learn how to solve common hardware and software problems.

#### Appendix A: Product Specification

In this section, you will find a list of the computer's system specifications.

#### Appendix B: Agency Regulatory Notices

In this section, you will find the general electro-magnetic and safety regulatory information.







## CHAPTER ONE GETTING TO KNOW THE BASICS

This chapter introduces the features and components of the computer.





### Performance Features

#### High Performance Processor with Calistoga Chipset

The notebook PC is equipped with a powerful Mobile Intel Core 2 Duo processor. Together with the latest Calistoga chipset and technologies, the system offers advanced PC performance.

#### Advanced Graphic Engine

The PCI-Express high-end graphics engine offers excellent graphics performance for the most demanding professionals or gamers. The advanced graphics chip also incorporates a hardware-based motion-compensation engine, which gives you smooth MPEG video playback. DirectX 9 graphics capability also adds realism to PC games.

#### LCD Display

The computer is equipped with a non-wide (16:10) 15.4" TFT display panel for the best cinematic viewing experience.

#### Serial ATA Hard Disk Drive Support (on certain models)

The serial ATA bus offers higher data throughput than the traditional parallel ATA bus. This gives you optimal hard drive performance.

#### ExpressCard Technology

ExpressCard is the next-generation of the PC Card standard. The bus interface is based on the two standards: PCI Express for high-performance I/O and USB2.0 for a variety of devices.

#### Expandability

The system offers an upgradeable hard disk drive and 2 DDR SDRAM sockets for expansion, allowing the user to easily increase the storage and system capacities as the need arises.

#### Built-in Multiple Card Reader





The built-in 4-in-1 card reader lets you access many of the portable media formats (SD Card, MMC Card, MS Card, and MS Pro Card).

### **Ethernet Port**

The system provides a built-in 10/100/1000Mbps Ethernet network adapter for high bandwidth network connection.

### **Firewire (IEEE1394 / 1394a) and USB2.0 Ports**

In addition to a full array of built-in I/O ports, the computer offers IEEE1394 for ultra high-speed connection to high bandwidth digital video devices and USB2.0 ports to connect to any USB-based peripheral devices.

### **Wireless LAN**

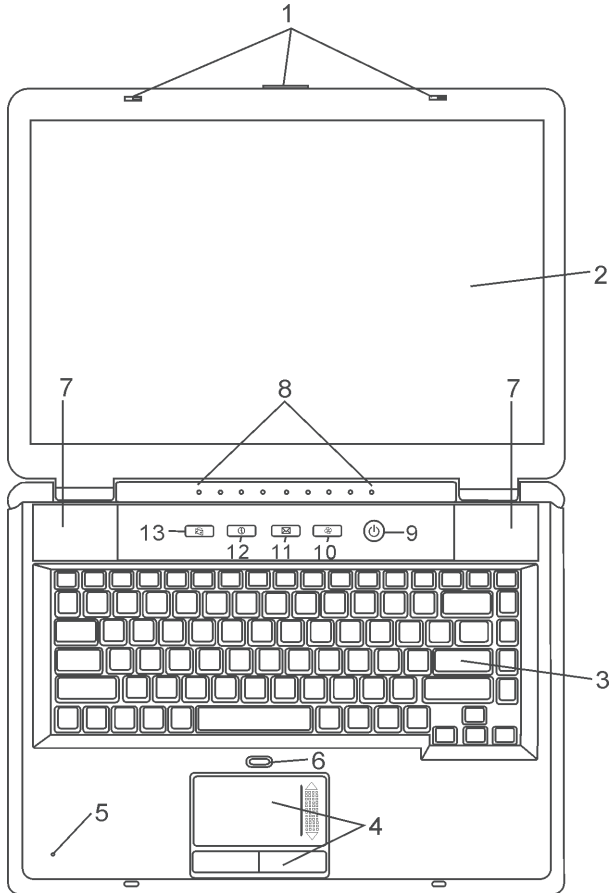
The internal Wireless LAN module allows your notebook to connect wirelessly to other 802.11-enabled systems, devices, or a network.





## System At A Glance

### Top View



#### 1. LCD Latch

The LCD latches lock / unlock the LCD panel.

#### 2. LCD Display

The panel is where the system content is displayed.





### 3. Keyboard

The keyboard is used to enter data. It has an embedded numeric keypad and cursor control keys. (See Keyboard Section for details.)

### 4. Touch Pad

The touch pad is a built-in pointing device with functions similar to a mouse.

### 5. Built-in Microphone

The built-in microphone records sound.

### 6. Touch Pad Disable / Enable Button

The button enables or disables the Touch Pad function.

### 7. Built-in Stereo Speakers

The built-in speakers output the sound in stereo.

### 8. LED Status Indicator

The LED Status indicators reveal the status of these functions: Numeric keypad, cap lock, scroll lock, WLAN module enabling and disabling and also the ODD and HDD activities. (See the LED Status Indicator Section for details.)

The LED Status indicators also reveal the status of the system power state and battery-charging state. See the LED Status Indicator Section for details.

### 9. Power / Suspend Button

The power/suspend button turns the notebook on and off and it also acts as a system suspend key. Press momentarily to turn on the system. Press and hold for at least 4 seconds to turn off the system. How this key behaves can be defined in the [Start > Settings > Control Panel > Power Options > Advanced] menu. Press the power / suspend button again to return from the suspend mode. (See Chapter 3 for more details on the system suspend function.)





## Alienware Area-51 m5550 Technical Reference

---

Note: When the system power is initially turned on, the Scroll-lock, Cap-lock, and Numeric keypad LED indicators will light up momentarily to indicate the start of the Power-On sequence.

### 10. Silent Mode Button

Pressing the key enables the system to lower its power usage; therefore the fan speed is reduced to achieve the lowest operating noise. You may need to go to BIOS Setup to enable Silent Mode for this button. See Chapter 2 for details.

### 11. Outlook Express Quick Key

Pressing the button launches Outlook Express in Windows.

### 12. Internet Explorer Quick Key

Pressing the button launches Internet Explorer in Windows.

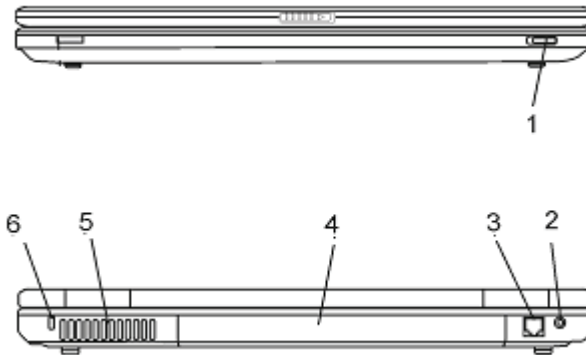
### 13. Windows Media Player Quick Key

Pressing the button launches Media Player in Windows.





## Front and Rear View



Warning: Do not place any heavy objects on the top of the notebook. This may damage the display

### 1. Wireless On/Off Switch

Use the switch to disable or enable the Wireless function.

### 2. Power Jack (DC-in)

The DC-out jack of the AC Adapter connects here and powers the computer.

### 3. Modem Port

This is where you plug the phone jack (RJ-11) for fax/modem functions.

### 4. Battery Pack

The battery pack is a built-in power source for the notebook.





## Alienware Area-51 m5550 Technical Reference

---

### 5. Ventilation Grill

The fan grill is where air is exchanged to dissipate the internal heat. Do not block this airway.

### 6. Kensington Lock Key Hole

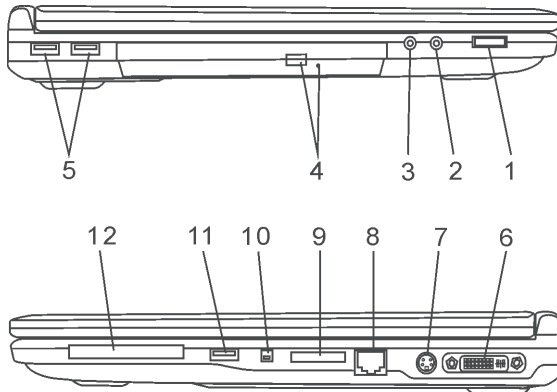
A Kensington-type security lock latches to this keyhole for anti-theft purposes.







## Side Views



Warning: Do not place any heavy objects on the top of your notebook. This may damage the display

### 1. Audio Volume Dial

Use the volume dial to control the loudness of the speakers.

### 2. Stereo Headphone / SPDIF-out Jack

The stereo headphone jack (3.5-mm diameter) is where you connect the headphones or external speakers. Alternatively, you may connect the SPDIF output to an external DTS, AC3, or PCM sound processor / decoder in your home stereo system.

### 3. Microphone Jack

The microphone jack (3.5-mm diameter) is where you connect a microphone.

### 4. Optical Drive and Disk Eject Button and Manual Eject Key Hole

If your computer comes with the Combo drive, DVD-RW, DVD+RW, or DVD-Dual drive, you may save data onto a CD-R / CD-RW or DVD-RW disc. Press the eject button to eject the disk tray. The manual eject keyhole allows you to manually eject a jammed disk.





## Alienware Area-51 m5550 Technical Reference

---

### 5. USB2.0 Port (x2)

The Universal Serial Bus (USB2.0-compliant) port allows you to connect a wide variety of devices to your computer at a rate of up to 480 Mbps. This port conforms to the latest USB2.0 plug-and-play standards.

### 6. DVI-I Port

The DVI-I video output port is for connecting the external LCD monitor or projector.

### 7. TV (S-Video) Port

The S-Video port permits you to redirect the screen output to a television set or any analog video playback device. This TV Port is copyright protected; when a DVD movie is played, the output is scrambled to prevent analog recording.

### 8. Ethernet / LAN Port

The port connects to a network hub via the RJ-45 cable and also conforms to 10/100/1000Base-TX transmission protocol.

### 9. 4-in-1 Card Reader

The 4-in-1 Card Reader supports SD Card, MS Card, MMC Card, and MS-Pro Card.

### 10. Firewire / IEEE1394 / 1394a Port

This is a high-speed serial data port. You may connect any Firewire-ready device to this port.

### 11. USB2.0 Port (x1)

The Universal Serial Bus (USB2.0-compliant) port allows you to connect a wide variety of devices to your computer at a rate of up to 480 Mbps. This port conforms to the latest USB2.0 plug-and-play standards.



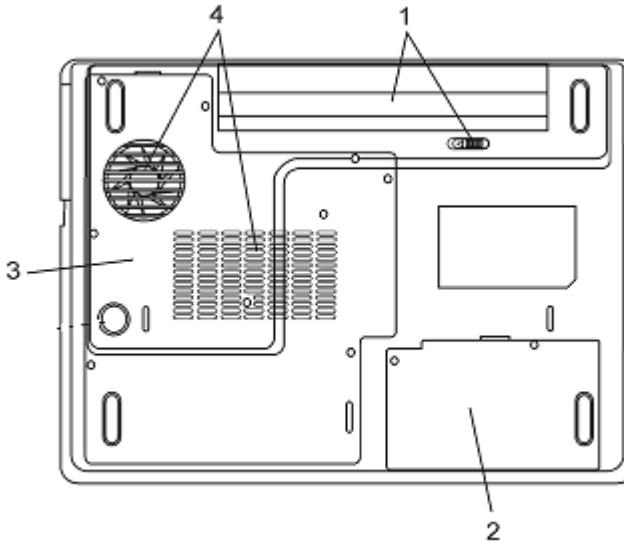


## 12. ExpressCard Slot

The slot is where ExpressCard (Type 54) is inserted. ExpressCard Type 54 allows insertion of 54mm and 34mm cards. ExpressCard integrates both the PCI-Express bus technology and USB2.0 standards.

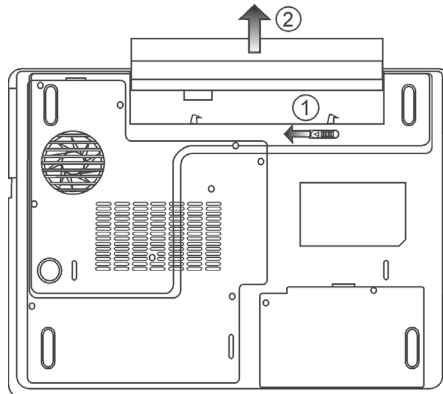


## Bottom View



### 1. Battery Pack and Battery Latch

The battery pack is a built-in power source for the notebook. Slide the battery latch to release the battery pack.



### 2. Hard Disk Drive Cover

The system's hard disk drive is located under the cover. The HDD can be upgraded to a larger capacity. (See Chapter 4 for instructions on an HDD upgrade.)



# Alienware Area-51 m5550 Technical Reference

---





## Alienware Area-51 m5550 Technical Reference

---

### 3. System Device Cover

The system's processor with cooler assembly, wireless LAN module, and DDR memory module are located under the case cover. You may install the WLAN module and the system memory can be upgraded to a larger capacity. (See Chapter 4 for instructions on a memory upgrade.)

### 4. Ventilation Grill

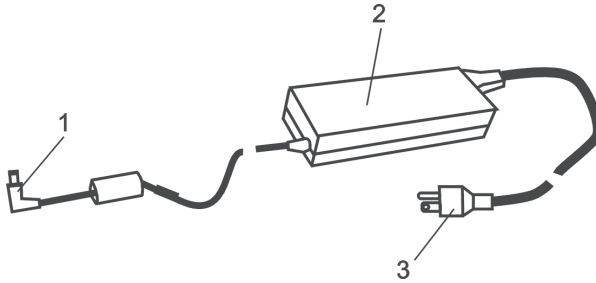
The fan grill is where air is exchanged to dissipate the internal heat. Do not block this airway.

**Warning:** Do not block the fan grill outlet. Place the machine on a hard surface only. The bottom of the case may get very hot.





## AC Adapter



### 1. DC-out Connector

The DC-out connector docks to the power jack (DC-in) on the computer.

### 2. Adapter

The adapter converts alternating current into constant DC voltage for the computer.

### 3. AC Plug

The AC plug plugs into the AC wall outlet.










**Warning:** Make sure you are using a standard 3-prong AC wall socket with a ground pin. If not, you may feel a slight tingling sensation on any of the computer's metal parts such as the I/O ports. This is caused by leakage current when the AC adapter is not properly grounded (via the ground pin). However, the amount of leakage current is within the safety regulation and is not harmful to the human body.



## LED Status Indicator

The LED Status Indicator displays the operating status of your notebook. When a certain function is enabled, an LED will light up. The following section describes its indication.








### System & Power Status Indicators

LED Graphic Symbol	Indication
	Blue light indicates the notebook is ON.
	Blue light indicates the WLAN module is active.
	Blinking blue light indicates the notebook is in Suspend Mode.
	Blue light indicates the Silent Mode is enabled.
	Blinking orange light indicates the battery is being charged. Blinking red light indicates the battery power is low when the system is turned ON. Persistent green light indicates the battery is Full. LED-off (Dark) indicates the system is without a battery.
	Blue light indicates the hard drive and/or optical drive is being accessed.
	Blue light indicates the numeric keypad is activated.
	Blue light indicates the cap-lock is activated.
	Blue light indicates the scroll-lock is activated.



## Keyboard Features

### Function Keys (Quick Keys)

Graphic Symbol	Action	System Control
	Fn + F1	Enters Suspend Mode.
	Fn + F3	Audio Mute on or off.
	Fn + F4	Changes Display Mode: LCD-only, CRT-only and LCD&CRT.
	Fn + F5	Turns Speaker Volume up.
	Fn + F6	Turns Speaker Volume down.
	Fn + F7	Increases Display Brightness.
	Fn + F8	Decreases Display Brightness.
	Fn+Num Lk	Enables the embedded keypad to work in numeric mode. The keys act like numeric keypads in a calculator. Use this mode when you need to do a lot of numeric data entry. An alternative would be to connect an external numeric keypad.
	Fn + Scr Lk	Press the Scroll Lock key and then press the ↑ or ↓ keys to move one line up or down.



## Windows Keys

Your keyboard also has two Windows keys:

### 1. Start Key

This key allows you to pull up the Windows Start Menu at the bottom of the taskbar.

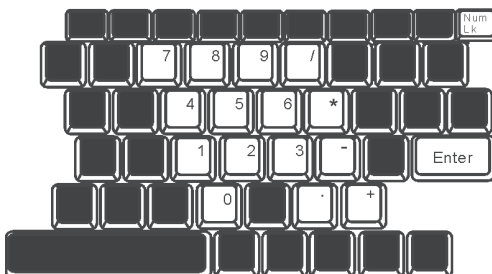
### 2. Application Menu Key

This key brings up the popup menu for the application, similar to a click of the right mouse button.

## Embedded Numeric Keypad

Press Fn+NumLk to enable the embedded numeric keypad. The numbers are printed in the upper right corner of a key, in a color different from the alphabet characters. This keypad is complete with arithmetic operators (+, -, \*, /).

Press Fn+NumLk to revert to the normal character keys.



## Touch Pad

The built-in touch pad, which is a PS/2-compatible pointing device, senses movement on its surface. As you move your fingertip on the surface of the pad, the cursor responds accordingly.

The following items teach you how to use the touch pad:

1. Move your finger across the touch pad to move the cursor.
2. Press buttons to select or execute functions. These two buttons are similar to the left and right buttons on a mouse. Tapping on the touch pad twice is similar to clicking the left button of a mouse.

Function	Left Button	Right Button	Equivalent Tapping Action
Execution	Click twice quickly		Tap twice (at the same speed as double-clicking the mouse button)
Selection	Click once		Tap once
Drag	Click and hold to drag the cursor		Tap twice quickly and on the second tap hold your finger to the touch pad to drag the cursor
Access Context Menu		Click once	
Move One Page Up or Down			

### Tips on Using the Touch Pad:

1. The double-click speed is timed. If you double-click too slowly, your notebook responds as if you single-clicked twice.
2. Keep your fingers dry and clean when using the touch pad. Also keep the surface of the touch pad clean and dry to prolong its life.
3. The touch pad is sensitive to finger movements. Hence, the lighter the touch, the better the response. A heavy touch does not produce a better response.



### Graphics Subsystem

Your computer uses a high-performance 15.4-inch (non-wide) active matrix TFT panel with high resolution and multi-million colors for comfortable viewing. The ATI Mobility M54-P video graphics accelerator, which is Microsoft DirectX 9 compatible, performs graphics rendering at a lightning-fast speed.

### Adjusting the Display Brightness

The notebook uses special key combinations, called hot keys, to control brightness. Press Fn+F7 to increase the brightness. Press Fn+F8 to decrease the brightness.

Note: To maximize your battery operating time, set the brightness to the lowest comfortable setting, so that the internal backlight uses less power.

### Extending the Life of the TFT Display Device

Observe the following guidelines to maximize the life of the backlight in the display.

1. Set the brightness to the lowest comfortable setting (Fn+F8).
2. When working at your desk, connect your notebook to an external monitor and disable the internal display Fn+ F4.
3. Do not disable the suspend time-outs.
4. If you are using AC power and have no external monitor attached, change to Suspend Mode when not in use.

### Opening and Closing the Display Panel

To open the display, push the LCD latch inwardly and lift up the lid. Then tilt it to a comfortable viewing position.

To close the display cover, fold it down gently until the LCD latches click into place.

Warning: To avoid damaging the display, do not slam it when closing. Do not place any object on top of the computer when the display is closed





## Audio Subsystem

Your computer's audio subsystem is Sound Blaster Pro-compatible.

### Adjusting the Volume Manually

To increase the volume, press Fn+ F5.

To decrease the volume, press Fn+F6.

### Adjusting the Audio Volume in Windows

1. Click the speaker symbol in the task tray in Windows.
2. Drag the volume control bar up or down to adjust the volume.
3. To temporarily silence the speaker without changing the volume setting, click Mute.

### Voice Recording

A built-in microphone allows you to record sound. You will need to use audio processing software to enable the built-in microphone. For example, you may use Microsoft Sound Recorder.

## Modem

Your computer comes with a 56K V.92 internal fax/modem and a phone jack (RJ-11), which is located on the left side of your computer.

Use a telephone cable to connect the computer to the telephone wall outlet.

### Connecting the Modem

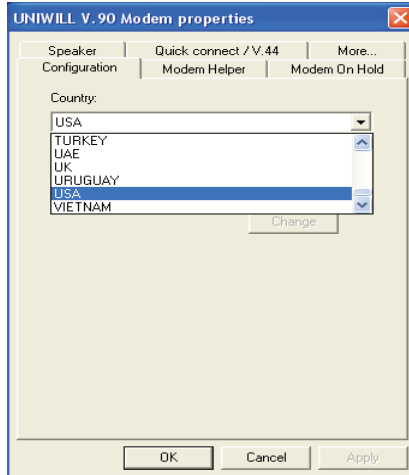
1. Plug one end of the phone line into the modem port located on the rear side of the computer. (For EMI compliance, you need to clip the included EMI CORE to the phone line.)
2. Plug the other end of the line into the analog phone wall outlet.

Depending on where your computer is used, you may need to change settings in the modem. The correct setting will allow you to maintain a stable connection in a country where its telecommunication system may be different to others.



**To change the modem setting, do the following:**

1. Go to [Start > Settings > Control Panel] and double-click on the Modem Settings icon. You will see a similar dialog box.
2. Click on the pull-down menu and select the country where it is applicable. Click on OK to exit.





## CHAPTER TWO

# BIOS SETUP AND SECURITY FEATURE

In this chapter, you will learn how to enter the BIOS Setup Menu and manipulate various hardware control settings. You will also learn how to use the built-in security features.





## Alienware Area-51 m5550 Technical Reference

---

The Setup Utility is a hardware configuration program built into your computer's BIOS (Basic Input/Output System). It runs and maintains a variety of hardware functions. It is a menu-driven software, which allows you to easily configure and change the settings.

The BIOS contains the manufacturer's default settings for the computer's standard operations. However, there are occasions when you may be required to modify the default settings in the BIOS. For example, you may need to configure the BIOS power management (APM) settings if you are using DOS or a non-Windows operating system.

The BIOS allows you to set up passwords to limit access to users. This is an important feature because a great deal of vital information is carried within the computer nowadays. Unauthorized access can be prevented. Later in this chapter, you will learn how to use this security feature.





## Entering the BIOS Setup Screen

First turn on the power. When the BIOS performs the POST (Power-On Self Test), press the F2 key quickly to activate the Phoenix BIOS Setup Utility.

Note: You may need to press the F2 key fairly quickly. Once the system begins to load Windows, you may have to retry by cycle-power on again

## Leaving the BIOS Setup Screen

When you have finished modifying the BIOS settings, exit the BIOS. It takes a few seconds to record changes in the CMOS.

## BIOS Action Keys

Function Key	Command	Description
ESC	Exit	Leaves a sub-menu to return to the previous menu OR exits the BIOS setup while saving changes.
Enter	Go to Sub Screen	Shows the Sub Menu
F1	General Help	Shows the Help Screen
F10	Save and Exit	Saves changes and reboots the computer.
⌵	Select a field	Selects the next field.
↑	Select an item	Selects the next upper item.
↓	Select an item	Selects the next lower item.
-	Lower value	Selects the next value within a field.
+	Higher value	Selects the next value within a field.

## Modifying the BIOS Settings

The Phoenix BIOS setup main menu is subdivided into sub-menus. Each menu item is described in this section.

### Main Setup

Under this menu, you may change the time/date and view basic processor and system memory information.

Item	Selections / Sub-menu	Description
Date	N/A	Type in the current date, in MM/DD/YY format.
Time	N/A	Type in the current date, in HH:MM:SS format.

### Boot Setup

#### Boot Settings Configuration

Item	Selections / Sub-menu	Description
Quick Boot	Disabled Enabled	Certain tests are skipped during boot-up, therefore the system boots up faster.
Quiet Boot	Disabled Enabled	When Enabled, the system will display the OEM logo instead of the POST messages. When Disabled, the system will display POST messages (i.e. devices information.)

Item	Selections / Sub-menu	Description
1st Boot Device	Removable Dev. CD/DVD Hard Drive Realtek Boot Agent Disabled	Set the type of device for the 1st drive BIOS attempts to boot from. If Realtek Boot Agent is selected, the system will attempt to load the boot sector from the Ethernet port.
2nd Boot Device		Set the type of device for the 2nd drive BIOS attempts to boot from.
3rd Boot Device		Set the type of device for the 3rd drive BIOS attempts to boot from.
4th Boot Device		Set the type of device for the 4th drive BIOS attempts to boot from.

Note: If you select Realtek Boot Agent, the system will attempt to boot from the network.  
 Note: When the BIOS performs POST, you may also press the F12 Key to enable the Boot Device selection menu. You may choose CD/DVD, Hard Drive, or Realtek Boot Agent as the first storage device to boot from. If you have already connected a USB Floppy Disk Drive before powering up, it will appear as a Removable Device in the Boot Device selection menu.

## Security Setup

### Boot Settings Configuration

Item	Selections / Sub-menu	Description
Change Supervisor Password	N/A	Install or Change the Password
Change User Password	N/A	Install or Change the Password

### Using Password Protection

Two levels of password protection are available. The BIOS provides both a Supervisor and a User password. If you decide to activate both passwords, the Supervisor password must be set first.

The passwords activate two different levels of protection:

1. The system always asks for a password every time it is powered on.
2. The system asks for a password only when you attempt to enter the BIOS utility.  
The passwords are encrypted and stored in NVRAM. Make sure you write them down or memorize them. If you lose the passwords, the computer may need to be sent back to the factory or to an authorized service dealer to be reset..

## Power Setup

Item	Selections / Sub-menu	Description
Long Battery Life Mode	Disabled Enabled	When Enabled, maximum battery life can be achieved. The processor performance is lowered.
Power Button Mode	On/Off Suspend	[On/Off]: When the power button is pressed, the system is turned off. [Suspend]: When the power button is pressed, the system enters the Suspend Mode.

Note: The Suspend Mode selection in BIOS only applies to older Windows versions (such as Windows 3.1, Windows 95 or NT4) or a non-Windows operating system. In Windows ME / 98SE / 2000 / XP/Vista, the Suspend Mode and settings are determined by settings in the Power Options Properties (Start > Control Panel > Power Options).

## Exit Setup

Item	Selections / Sub-menu	Description
Saves Changes and Exit	N/A	After you have completed the BIOS settings, select this item to save all settings, exit the BIOS Setup utility, and reboot. New system settings will take effect on the next power-up. The F10 key can be used for this operation.
Discard Changes	N/A	Discards changes done so far to any of the setup questions.
Load Optimal Defaults	N/A	Loads the Optimal Default value for all the setup questions. The F9 key can be used for this operation.



## CHAPTER THREE BATTERY POWER & POWER MANAGEMENT

In this chapter, you will learn the fundamentals of power management and how to use it to achieve longer battery life.





In this chapter, you will learn how to operate your notebook on battery power, how to handle and maintain the battery pack, and learn about the system's power saving features.

The TFT display, central processor, and hard disk drive are the major hardware subsystems that consume the most power. Power management deals with how these key components should behave to conserve power. For example, you can have the system turn off its display after 2 minutes of inactivity to save power. Efficient power management can help you work longer sessions before having to recharge the battery.

## The Battery Pack

### Lithium-Ion Battery

Your notebook uses a six-cell Lithium-Ion battery pack that provides power when you don't have access to an AC outlet.

Note: It is necessary that you charge the battery pack for at least 6 hours before using it for the first time.

Note: In the Standby Suspend mode, a fully charged battery loses its power in roughly 1/2 a day or less. When not being used, the battery's power will deplete in 1-2 months.

### Battery Low-Power Warning

#### 1. Low Battery Warning

Low battery conditions occur when the battery power is reduced to 6%. The red battery status LED indicator blinks and the system beeps once every 16 seconds or so.

#### 2. Very Low Battery Warning

Very Low battery conditions occur when the power is reduced to 3%. The red battery status LED indicator blinks and the system beeps at 4-second intervals.

When your notebook warns you of its low battery condition, you will have about 3-5 minutes to save your current work.





## Alienware Area-51 m5550 Technical Reference

---

**Warning:** Do not expose battery packs to temperatures below 0 degrees Celsius (32 degrees F) or above 60 degrees C (140 degrees F). This may adversely affect the battery pack.

**Note:** Press Fn+F3 to turn off the battery warning beep.



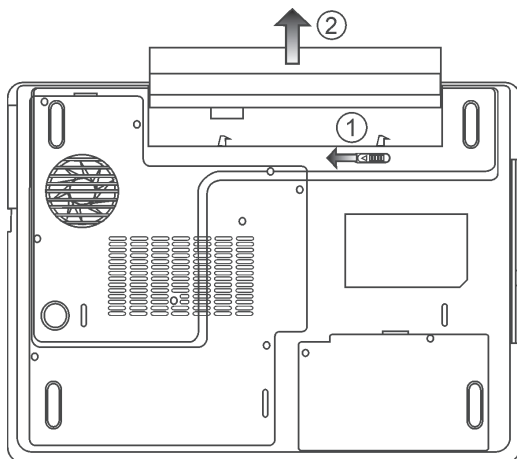




## Installing and Removing the Battery Pack

### To Remove the Battery Pack:

1. Place the notebook bottom-side up on a flat and secured surface.
2. Push the latch and pull the battery's hard case away from the notebook.

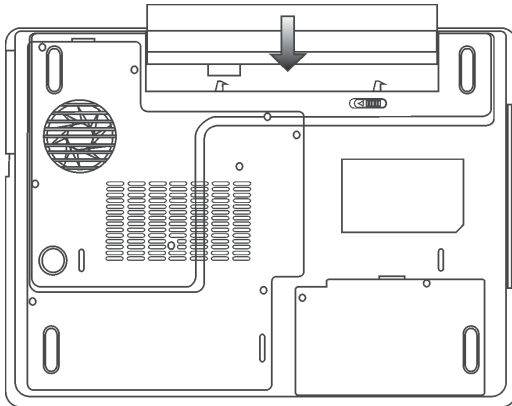




## Alienware Area-51 m5550 Technical Reference

### To Install the Battery Pack:

1. Place the notebook bottom-side up on a flat and secured surface.
2. Carefully insert the battery pack into the battery compartment of the notebook.



### Charging the Battery and Charging Time

To charge the battery while the battery pack is in the notebook, plug the AC adapter into the notebook and an electrical outlet.

The charging time is approximately 4-6 hours when the notebook is turned off and approximately 6-10 hours when the notebook is turned on.

When the battery is fully charged, the battery charge indicator becomes green.

**Note:** If the system runs at heavy loading or in a high temperature environment, the battery may not be fully charged. You need to continue to charge it with the AC adapter plugged in until the charging LED turns green.

### Checking the Battery Level

You can check the remaining battery power in the Windows battery status indicator, which is located at the lower right-hand corner of the task bar. (If you do not see a battery or AC-in icon on the task tray, go to the Power Options Properties box and click on the Advanced tab. Check off ``Always show icon on the task bar``.) Alternatively, you can access the power meter by clicking the Power Options icon in the Windows Control Panel.





## Prolonging the Battery's Life and Usage Cycles

There are things you can do to prolong the use of the battery.

- Use the AC adapter wherever an AC wall outlet is available. This will ensure uninterrupted computing.  
Purchase an additional battery pack.
- Store the battery pack at room temperature. Higher temperature tends to deplete the battery's power faster.
- Make good use of the power management function. Save To Disk (Hibernate) saves the most energy by storing current system contents in a hard disk space reserved for this function.
- The life expectancy of the battery is approximately 300 recharges.
- See the notices section in the beginning of the user manual on how to care for the battery pack.

Note: Read the section about protecting your notebook in the beginning of this manual for tips about how to maintain the battery pack.

Note: To achieve optimal battery performance, you may need to do a battery calibration at a 3-month interval. To do this:

1. Fully charge the battery.
2. Then discharge the battery by entering the BIOS setup screen. (Press the F2 key as soon as you turn on the computer and let it remain at the setup screen until the battery runs out.)
3. Fully charge the battery again.



## Using Windows Power Options

Windows Power Management provides basic power saving features. In the Windows Power Options Properties [Start > Settings > Control Panel > Power Options] dialogue box, you may enter time-out values for the display and hard disk drive. Windows Power Manager saves power by turning off the hard drive after 1 minute of inactivity, for example.

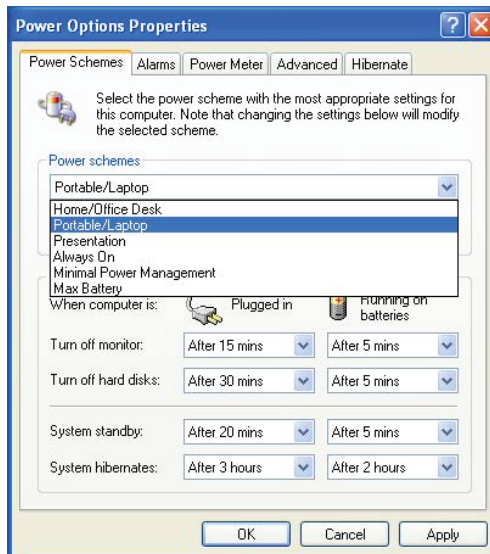
## Windows' Power Schemes

The power management control panel in Windows XP, known as Power Schemes, is designed to provide the user with an easy-to-use interface. The Power Schemes tab can be found in the Power Options Properties panel that is accessible via the control panel window.

Schemes are easy to understand, based on notebook usage scenarios, and control not only processor power usage but other system peripherals as well.

Go to [Start > Settings > Control Panel] and double-click the Power Options icon.

Always On mode puts the processor into maximum performance mode, which provides no power saving. The other schemes control processor performance based on demand. For example, Max Battery mode lowers the processor's speed and voltage to conserve power as much as possible.





## Alienware Area-51 m5550 Technical Reference

---

In this dialog box, you can manually set the LCD and hard drive's time-out values in the Plugged In column and in the Running On Batteries column. Lower time-out values will save more battery power.

Note: Also consult the Windows user guide for more information on how to use Windows power management functions.

Note: The actual dialogue box may appear slightly different than the one shown above.



## Suspend Mode

### Standby Suspend

The system automatically enters this mode after a period of inactivity, which is set in the Power Schemes dialog box. In Standby mode, hardware devices, such as the display panel and hard disk, are turned off to conserve energy.

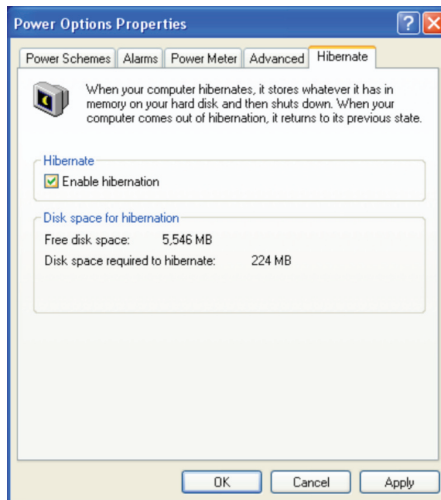
### Hibernate Suspend

In this mode, all system data are saved in the hard disk before powering down. When this mode is activated, all system state and contents are saved to the hard disk drive after a period of inactivity defined by the user. No power or very little power is drawn from the battery module under this mode.

However, depending on how much RAM has been installed in your computer, the amount of time the system requires to restore all its previous contents can range from 5 to 20 seconds.

For Windows XP / Vista users, hibernation is handled by the operating system; therefore, no special disk partition or disk file is necessary.

If you wish to activate Hibernate mode, you need to enable Hibernate Support in the Hibernate tab of the Power Options menu.

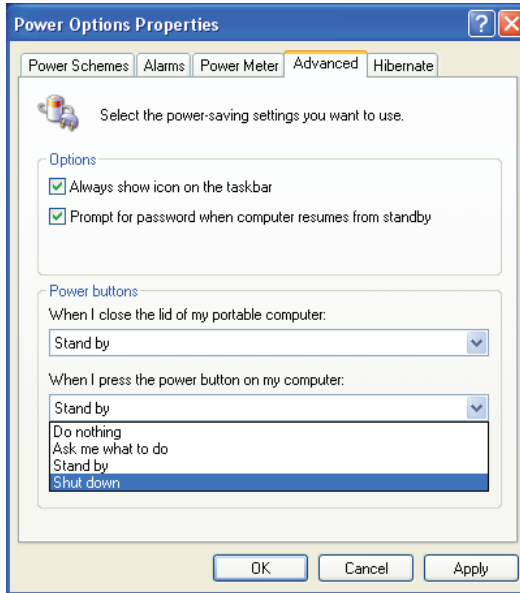


Note: Do not install or remove the memory module when the system is in the Suspend Mode.  
Note: The actual dialogue box may appear slightly different than the one shown above.

## Power Button Action

The notebook PC's power button can be set to turn off the system or activate the suspend mode.

Go to [Start > Settings > Control Panel > Power Options] and click on the Advanced tab. In the pull-down menu, select how you wish the power button to work.

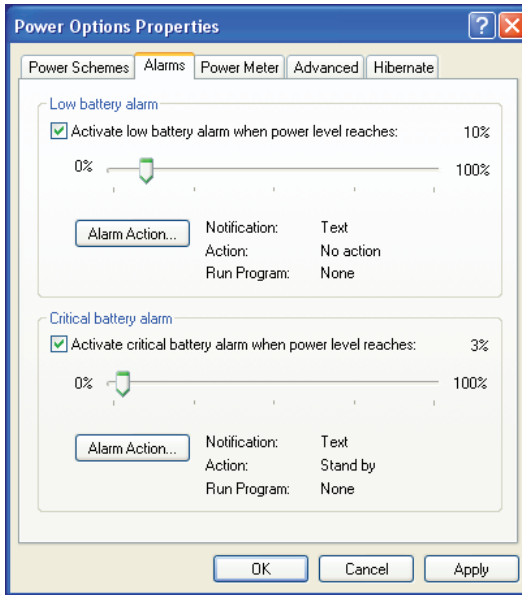


Note: The actual dialogue box may appear slightly different than the one shown above.

Warning: In the When I close the lid of my portable computer pull-down menu, DO NOT select Do nothing – otherwise the system will still run at high speed while the processor's fan grill is fully blocked by the closed LCD panel. The heat will damage the LCD panel.

## Low Battery Warning

You can define when and how the system warns you of its low-battery condition. Go to the Alarms tab in the Power Options Properties box. If you wish to hear audible beeps, click on the Alarm Action button and put a check on Sound Alarm.



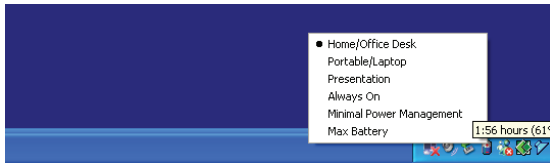
Note: Consult the Windows user guide for more information on how to use Windows power management functions.

Note: The actual dialogue box may appear slightly different than the one shown above.



## Power Menu Quick Access

Instead of making specific selections in the Power Options Properties box, you can quickly and easily specify which pre-set power saving function you desire by clicking on the Battery icon at the lower right-hand corner of the task bar. (If you do not see a battery or AC-in icon, go to the Power Options Properties box and click on the Advanced tab. Check off ``Always show icon on the task bar``.) Select Max Battery if you want the system to enter Suspend Mode more often. Or, select Always On if your notebook PC is plugged into an AC power source.



Note: The actual dialogue box may appear slightly different than the one shown above.

## Windows' Power Plans

### Windows Vista

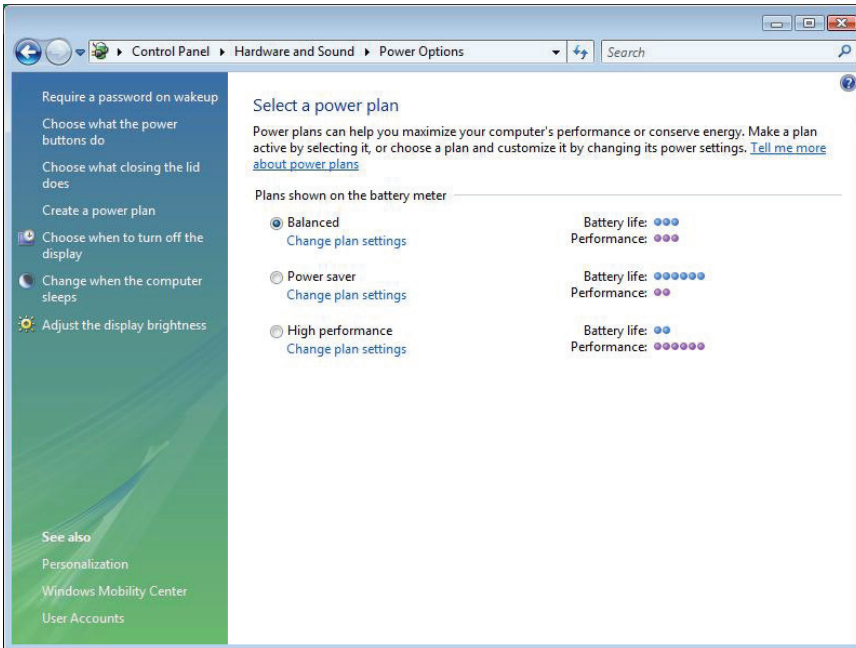
The power management control panel in Windows Vista, known as Power Plans, is designed to provide the user with an easy-to-use interface. The Power Plans tab can be found in the Power Options Properties panel that is accessible via the Control Panel window.

Power Plans are easy to understand, based on notebook usage scenarios, and control not only processor power usage but other system peripherals as well.

Go to [Start > Control Panel] and click on the battery options under the mobile section.

“High performance” mode puts the processor into maximum performance mode, which provides no power saving. The other plans control processor performance based on demand. For example, “Power Saver” mode lowers the processor’s speed and voltage to conserve power as much as possible.

In this dialog box, you can select the pre-defined power plans manually or click on the options on the side bar to set the Sleep, LCD and hard drive’s time-out.





## Alienware Area-51 m5550 Technical Reference

---

Note: Also consult the Windows user guide for more information on how to use Windows power management functions.

Note: The actual dialogue box may appear slightly different than the one shown above.





## Alienware Area-51 m5550 Technical Reference

---

### Suspend Mode

Windows Vista

#### Standby Suspend

The system automatically enters this mode after a period of inactivity, which is set in the Power Schemes dialog box. In Standby mode, hardware devices, such as the display panel and hard disk, are turned off to conserve energy.

#### Hibernate Suspend

In this mode, all system data is saved in the hard disk before powering down. When this mode is activated, all system state and contents are saved to the hard disk drive after a period of inactivity defined by the user. No power or very little power is drawn from the battery module under this mode.

However, depending on how much RAM has been installed on your computer, the amount of time the system requires to restore all its previous contents can range from 5 to 20 seconds.

For Windows XP / Vista users, hibernation is handled by the operating system; therefore, no special disk partition or disk file is necessary.

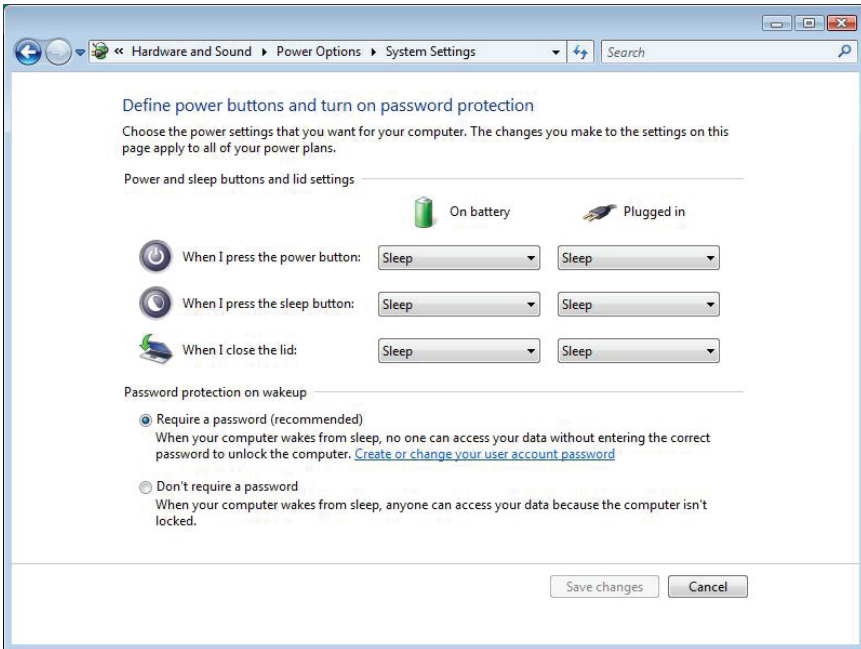
In Windows Vista, hibernation is enabled by default if your system supports it.



## Power Button Action

The notebook PC's power button can be set to turn off the system or activate the suspend mode.

Go to [Start > Control Panel] and click on the battery options under the mobile section and click on "Choose what the power buttons do" on the side bar. In the pull-down menu, select how you wish the power button to work as.



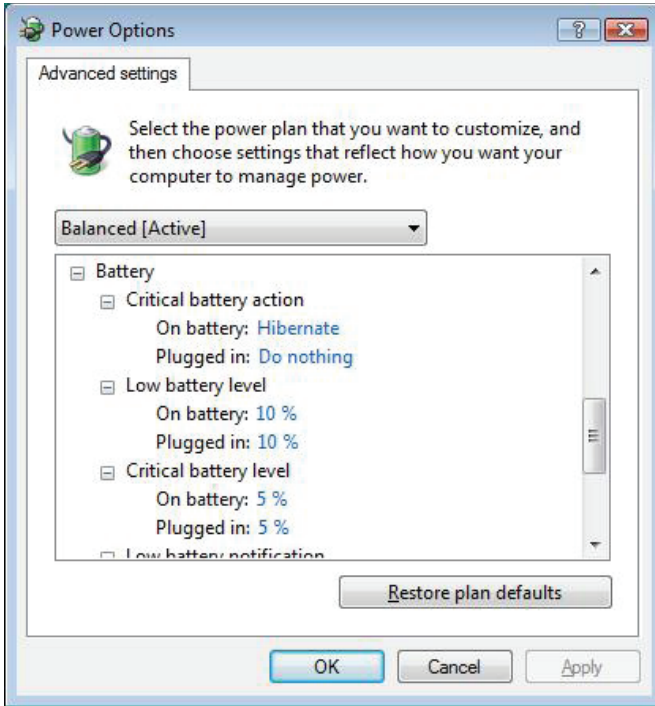
Note: The actual dialogue box may appear slightly different than the one shown above.

Warning: In the "When I close the lid of my portable computer" pull-down menu, DO NOT select "Do nothing" – otherwise the system will still run at high speed while the processor's fan grill is fully blocked by the closed LCD panel. The heat will damage the LCD panel.

## Low Battery Warning

You can define when and how the system warns you of its low-battery condition.

Click the “Change plan settings” underneath the currently active Power Plan in the Power Options Properties box. Next, click on “Change advance power settings” and go to the battery section and expand it to change the battery notifications and alarms.

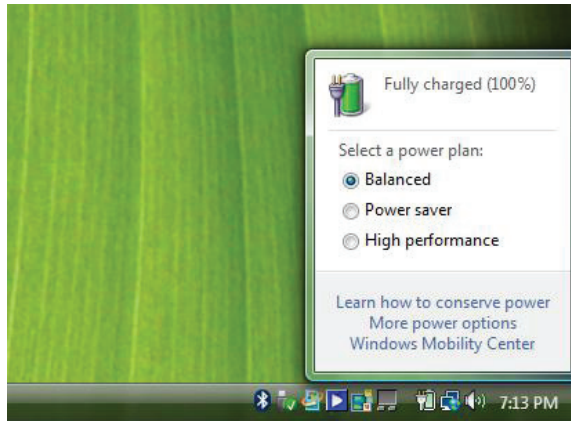


Note: Consult the Windows user guide for more information on how to use Windows power management functions.

Note: The actual dialogue box may appear slightly different than the one shown above.

## Power Menu Quick Access

Instead of making specific selections in the Power Options Properties box, you can quickly and easily specify which pre-set power saving function you desire by clicking on the Battery icon at the lower right-hand corner of the task bar. (If you do not see a battery or AC-in icon, go to Power Options Properties box and click on the Advanced tab. Check off “Always show icon on the task bar”). Select “Power Saver” if you want the system to enter Suspend Mode more often. Or, select “High Performance” if your notebook PC is plugged into an AC power source.





## CHAPTER FOUR UPGRADING YOUR COMPUTER

In this chapter, you will learn how to upgrade the DRAM and hard disk drive, and how to install the optional wireless LAN mini PCI.







**Warning:** We strongly recommend that you send your notebook back to your dealer or agent for the specification upgrading.

When you upgrade your system, please turn off the power and disconnect the LAN and Modem cable first for your safety.

After the system upgrade, please screw all the screws in before turning on the system.

### Upgrading the Hard Disk Drive

Replacing the original drive with one of larger capacity can increase the hard drive capacity of your computer. The computer uses a 9.5 mm (height), 2.5-inch Serial ATA type hard disk.

Be sure to make a backup copy of all your data before attempting this operation.

**Warning:** A hard drive upgrade is a delicate process. Please observe the following instructions carefully or have a qualified technician install it for you. Damages due to mishandling of this procedure are NOT covered by the manufacturer's warranty.

**Warning:** Apply care when handling the hard disk.

- Do not drop or apply any shock.
- Do not press on the cover.
- Do not touch the connector with your fingertips.
- Mishandling of the hard drive can result in permanent loss of data. Make a backup copy of the drive's content before you remove it.

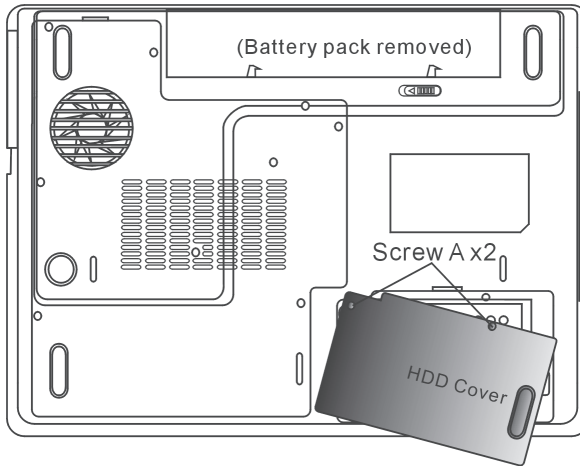
**Note:** Certain models that come with the IBM-brand hard drive emit a clattering sound when it is being rattled. This is a normal condition.



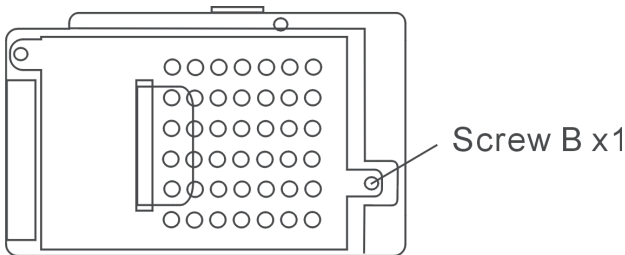
## Upgrading the Hard Disk Drive

To replace the hard disk drive, do the following:

1. Turn OFF the computer. Unhook the AC cord and all cables/devices attached to the notebook. Remove the battery.
2. Place your hand on a large metal object momentarily to discharge any static electricity.
3. Locate and remove 2 Screw A's.
4. Remove HDD Cover.



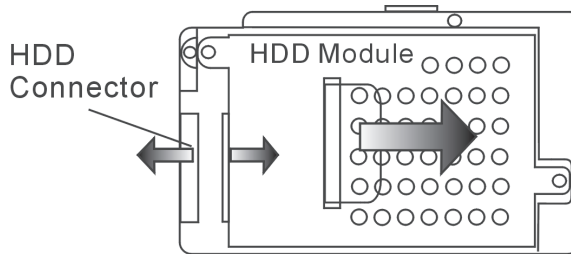
5. Locate and remove 1 Screw B.



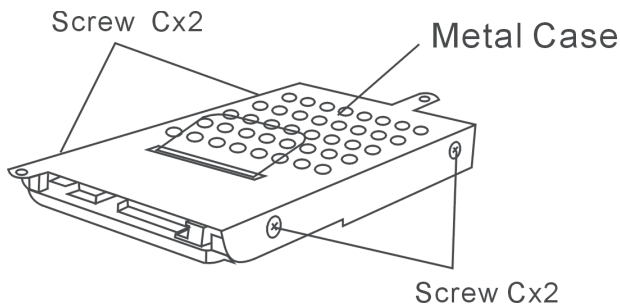


## Alienware Area-51 m5550 Technical Reference

6. Push the HDD module to the right and separate it from the connector. Lift the module away from the bay.



7. Locate and remove 4 Screw C's from the HDD module. Remove the metal case.



8. Re-attach the metal cover to the new hard drive and tighten 4 Screw C's. Note the green PC board of the hard disk drive is facing against the metal case.
9. Re-attach the HDD module to the HDD connector and re-attach 1 Screw B.
10. Put the HDD cover back and re-attach 2 Screw A's.

Congratulations! You have now completed the hard drive upgrade. When you boot up the PC, you may need to create a primary HDD partition, reformat the new drive and re-install the O/S, drivers, and all the necessary applications.





### Upgrading the System Memory

Many applications will generally run faster when the computer's dynamic memory capacity is increased. The computer provides two DDR2 memory sockets, located underneath the System Device Cover. You can increase the amount of memory by replacing the existing one with a dual inline memory module (commonly known as SO-DIMM) of a higher capacity. The SO-DIMM can be 128MB, 256MB, 512MB, or 1024MB in capacity. The SO-DIMM's type is DDR2 SDRAM, has 200 pins and runs on 2.5V. The SO-DIMM should be PC2 3200 or PC2 4200 compliant.

**Warning:** A memory upgrade is a delicate process. Please observe the following instructions carefully or have a qualified technician install it for you. Damages due to mishandling of this procedure are NOT covered by the manufacturer's warranty.

**Warning:** Changing memory while your computer is in Suspend or Power-Saving Mode may cause permanent damage to the hardware. Make sure you turn off the power and unplug the AC cord before proceeding with a memory upgrade.

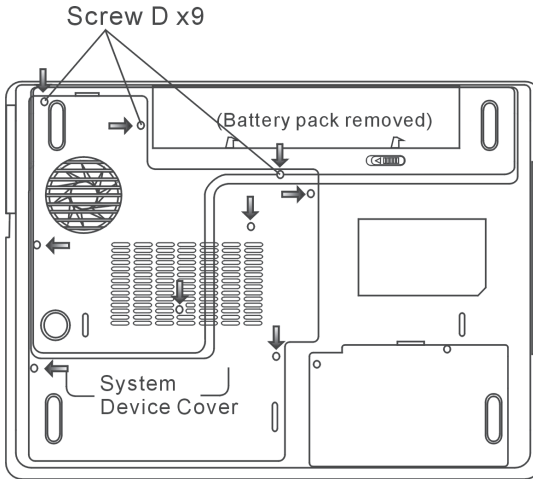
**Warning:** You should only use the DIMM module that is approved by the reseller or the manufacturer; otherwise the system may become unstable.



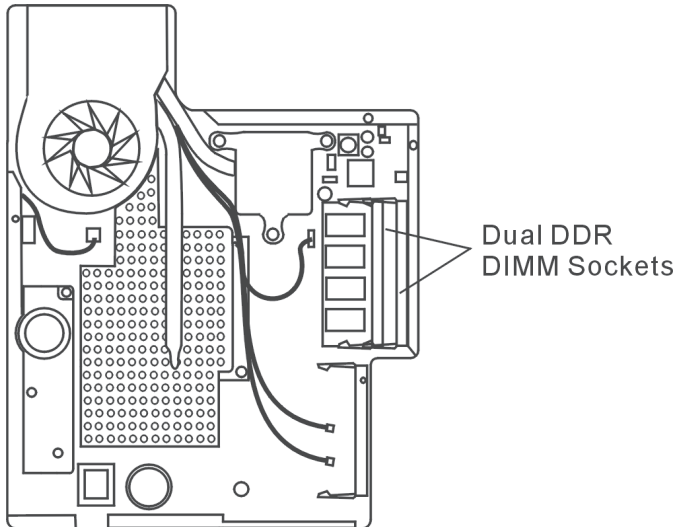
## Installing a memory module (DIMM) into the system

To install the DIMM, do the following:

1. Power OFF the notebook. Unplug the AC cord and all cables/devices attached to the notebook. Remove the battery.
2. Place your hand on a large metal object momentarily to discharge any static electricity. Place the notebook on a flat surface and fully close the LCD lid.
3. Locate and remove 9 Screw D's on the System Device Cover.



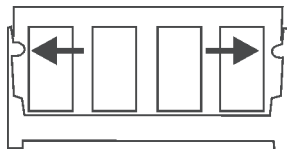
4. Remove the System Device Cover. The DIMM socket is now seen as shown below.



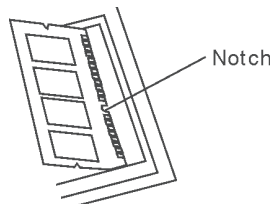


## Alienware Area-51 m5550 Technical Reference

5. If you need to remove an old DIMM from the socket, press out on the latches located on both edges of the socket at the same time. The DIMM should pop up to an angle of 30 degrees (see diagram below). Pull the DIMM module out of the memory socket. Store away the DIMM for future use.



6. Install the new DIMM module into the memory socket. The DIMM will only fit in one orientation. Insert the DIMM at an angle of approximately 30 degrees into the empty memory socket. Then press it firmly so that the contact edge is driven into the receiving socket.
7. Pivot the DIMM until the latches on both sides of the socket snap into place.



Note: Notice the notch on the DIMM. The notches should fit nicely with the socket.

8. Put the System Device Cover back and tighten 9 Screw D's.

Congratulations! You have just completed the memory upgrade. When you boot up the computer, you should expect to see an increase in DRAM capacity.

Note: Your computer has been tested with a wide range of DIMM on the market. However, not all memory modules are compatible. Check with your system vendor for a list of compatible DIMM for your computer.



### Adding a Mini-PCI Type Wireless LAN Card (Optional Device)

Your computer comes with a unique Mini PCI Card socket, which is located next to the DRAM socket and underneath the WLAN Module Cover. The socket allows the computer to add unique features such as wireless LAN (IEEE802.11x). Ask your dealer about the availability of the mini PCI card.

**Warning:** Installing a mini PCI card is a delicate process. Please observe the following instructions carefully or have a qualified technician install it for you. Damages due to mishandling of this procedure are NOT covered by the manufacturer's warranty.

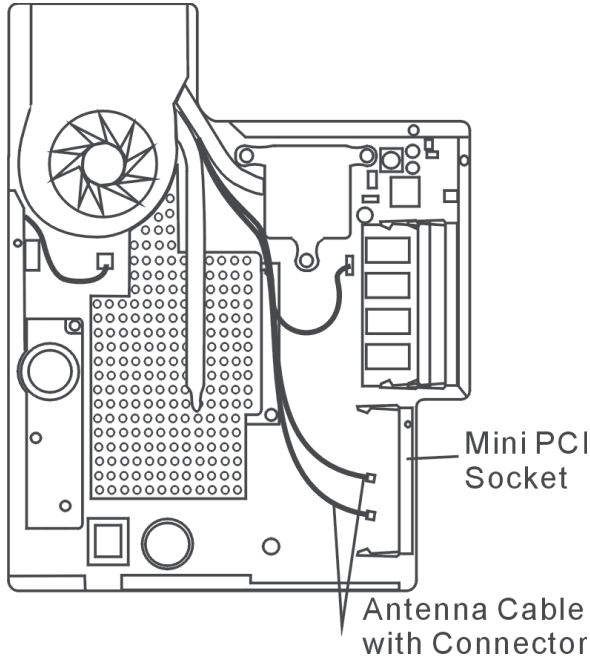
**Warning:** Installing the mini PCI card while your computer is in Suspend or Power-Saving Mode may cause permanent damage to the hardware. Make sure you turn off the power and unplug the AC cord before proceeding with a memory upgrade.



## Installing a Mini PCI Card into the System

To install a new Mini PCI card, do the following:

1. Follow the steps in the previous section, Installing a memory module (DIMM) into the system, to access the Mini PCI Socket.



2. The mini PCI card will only fit in one direction. Align the small notch in the module with the socket on the connector and insert the card at an angle of approximately 30 degrees into the empty socket. Then press it firmly so that the contact edge is driven into the receiving socket. Pivot the mini PCI card until the latches on both sides of the socket snap into place.

**Note:** If you want to remove a mini PCI card from the socket, press out on the latches located on both edges of the socket at the same time. The card should pop up to an angle of 30 degrees.





## Alienware Area-51 m5550 Technical Reference

3. Locate 2 antenna cables with connectors. Snap the cable onto the golden connector on the Mini PCI Wireless LAN card. (Note: The connectors are fairly small! This may take some maneuvering. You may want to connect the antenna cables before inserting the wireless card into the socket.)
4. Replace the System Device Cover and 9 Screw D's.

Congratulations! You have now completed the mini PCI card installation. The next time the system boots to Windows, the system will prompt for the driver location. Insert the Factory CD-ROM and point to the directory where the Wireless LAN driver can be found. In addition to installing the driver, you may also need to run a Setup.exe program to install the card's utility applications before it is fully operational.





## CHAPTER FIVE TROUBLESHOOTING

In this chapter, you will learn how to solve common hardware and software problems.





## Alienware Area-51 m5550 Technical Reference

Your computer has been fully tested and complies with the system specifications before shipping. However, incorrect operations and/or mishandling may cause problems.

This chapter provides a reference for identifying and correcting common hardware and software problems that you may encounter.

When you encounter a problem, you should first try to go through the recommendations in this chapter. Instead of returning the computer and waiting for repair, you might easily solve the problems by considering the following scenarios and possible solutions. If the error continues, contact your reseller for service information.

Before taking further actions, consider the following suggestions:

- Check to see if the problem persists when all the external devices are removed.
- Check to see that the green light indicator on the AC adapter is lit.
- Check to see that the power cord is properly plugged to the wall outlet and to the computer.
- Check to see that the power indicator of the computer is on.
- Check to see if your keyboard is operational by pressing and holding any key.
- Check for any incorrect or loose cable connections. Make sure the latches on the connectors latch securely on to the receptor end.
- Be sure you have not performed an incorrect setting on the hardware devices in the BIOS Setup utility. A faulty setting may cause the system to misbehave. If you are not sure of the changes you made, try to restore all the settings to factory defaults.
- Be sure all the device drivers are installed properly. For example, without the audio driver properly installed, the speakers and microphone will not work.
- If external devices such as a USB camera, scanner, or printer do not function correctly when connected to the system, it is usually the device's own problem. Consult the device's manufacturer first.
- Some software programs, which have not gone through rigorous coding and testing, may cause problems during your routine use. Consult the software vendor for problem solving.
- Legacy peripherals are not plug-and-play capable. You need to restart the system with these devices powered up and connected first.
- Be sure to go to BIOS SETUP and load DEFAULT SETTING after BIOS re-flash.
- Be sure the Quick Key Lockout Switch on the bottom of the computer is not engaged; otherwise the quick keys will not work.





## Audio Problems

### No speaker output

- Turn up the volume dial located at the left edge of the computer. See Chapter 1 for its location.
- Software volume control is turned down in Microsoft Sound System or is muted. Double-click the speaker icon on the lower right corner of the taskbar to see if the speaker has been muted or turned down all the way.
- Most audio problems are software-related. If your computer worked before, chances are software may have been set incorrectly.
- Go to [Start > Settings > Control Panel] and double-click the Sounds and Audio Devices icon. In the Audio page, make sure that Realtek HD Audio is the default playback device.

### Sound cannot be recorded

- Double-click the speaker icon on the lower right corner of the taskbar to see if the microphone has been muted.
  1. Click Options and select Properties.
  2. Select Recording and click the OK button.
  3. After clicking the OK button, the recording volume control panel will appear.
- Go to [Start > Settings > Control Panel] and double-click the Multimedia icon (or Sounds and Audio Devices icon). In the Volume or Audio page, make sure that Realtek HD Audio is the default recording device.



## Hard Disk Problems

### The hard disk drive does not work or is not recognizable

- If you had just performed a hard disk upgrade, make sure the hard drive connector is not loose and the hard disk drive is also correctly seated. Remove it and reinsert it firmly, and then restart your PC. (Refer to Chapter 4 for details.)
- The new HDD may need to be partitioned and reformatted. The O/S and drivers will need to be re-installed as well.
- Check the hard disk indicator LED. When you access a file, the LED lamp should light up momentarily.
- The new HDD may be defective or is not compatible.
- If your computer has been subjected to static electricity or physical shock, you may have damaged the disk drive.

### The hard drive is making abnormal whining noises

- You should back up your files as soon as possible.
- Make sure the source of the noise is indeed from the hard drive and not the fan or other devices.

### The hard disk drive has reached its capacity

- Run Disk Cleanup utility in Windows. [Start > All Programs > Accessories > System Tools > Disk Cleanup] The system will prompt you for what to do.
- Archive files or programs that you no longer use by moving them to an alternative storage medium (floppy disk, optical record-able disk, etc.) or uninstall programs that you no longer use.
- Many browsers store files in the hard drive as a cache to speed up the performance. Check the program's online help for instructions on decreasing the cache size or on removing temporary Internet files.
- Empty the Recycle Bin to create more disk space. When you delete files, Windows saves them to the Recycle Bin.





## Alienware Area-51 m5550 Technical Reference

---

### The hard disk takes longer to read a file

- If you have been using the drive for a period, the files may be fragmented. Go to [Start › Programs › Accessories › System Tools › Disk Defragmenter] to perform a diskdefragmentation. This operation may take a while.
- Interrupt requests or problems with other hardware devices may have occupied the CPU and therefore slow down the system performance.

### The files are corrupted

- Run the Error-checking utility in Windows to check the HDD. Double-click My Computer. Right-click C: and select Properties. Click Check Now in Error-checking in Tools.





## Optical Drive Problems

### The optical drive does not work

- Try rebooting the system.
- The disk is damaged or files are not readable.
- After you have inserted a CD-ROM disk, it may take a moment before you can access its content.

### The drive does not read any disks

- The CD may not be properly seated in the tray. Make sure the disk is firmly seated onto the spindle.
- The disk is damaged or not readable.

### The disk cannot be ejected

- Normally, it takes a few seconds to eject the disk.
- If the disk cannot be ejected, it may be mechanically jammed. Straighten out a paper clip and insert it into a tiny hole next to the eject button. This should reject the disk tray. If not, return the unit for repair. Do not forcefully pull on the disk tray.

### The Combo or DVD-RW drive (optional device) cannot record -

- You need to purchase and install a burner utility program to record files to a blank media.





## Display Problems

### The display panel is blank when the system is turned on

- Make sure the computer is not in the Standby or Hibernate suspend modes. The display is turned off to conserve energy in these modes.

### The screen is difficult to read

- The display resolution should be set to at least 1024x768 for optimal viewing.
  1. Go to [Start > Settings > Control Panel] and double-click the Display icon.
  2. Under the Settings page, set the screen resolution to at least 1024x768 and choose at least 256 colors.

### The screen flickers

- It is normal if the display flickers a few times while shutting down or powering up.







## Keyboard and Mouse Problems

### The built-in touch pad performs erratically

- Make sure there is no excess perspiration or humidity on your hand when using the touch pad. Keep the surface of the touch pad clean and dry.
- Do not rest your palm or wrist on the surface of the touch pad while typing or using the touch pad.

### The built-in keyboard accepts no input

- If you are connecting an external keyboard to the system, the built-in keyboard may not work.
- Try restarting the system.

### The characters on the screen repeat when I type

- You may be holding the keys down too long while you're typing.
- Keep the keyboard clean. Dust and dirt under the keys could cause them to stick.
- Configure the keyboard to wait longer before the auto repeat feature starts. To adjust this feature, go to [Start > Settings > Control Panel] and double-click the Keyboard icon. A dialogue box shows up with the adjustable settings for the keyboard.





## CMOS Battery Problem

A message “CMOS Checksum Failure” displays during the booting process or the time (clock) resets when booting -

- Try to reboot the system.
- If the message “CMOS Checksum Failure” appears during the booting procedure even after rebooting, it may indicate failure of the CMOS battery. If so, you need to replace the battery. This battery normally lasts two to five years. The battery is type CR2032 (3V). You may replace it by yourself. The battery is located under the System Device Cover on the bottom of the notebook. See Chapter 4 for more details.

## Memory Problems

The POST does not show an increased memory capacity when you have already installed additional memory -

- Certain brands of memory module may not be compatible with your system. You should ask your vendor for a list of compatible DIMM.
- The memory module may not be installed properly. Go back to Chapter 4 to review the details of this operation.
- The memory module may be defective.

The O/S issues an insufficient memory error message during operation

- This is often a software or Windows-related problem. A program is draining the memory resources.
- Close the application programs you’re not using and restart the system.
- You need to install an additional memory module. For instructions, go to Chapter 4 Upgrading Your Computer.





## Modem Problems

### The built-in modem does not respond

- Make sure the modem driver is loaded properly.
- Go to [Start > Settings > Control Panel > Phone and Modem Options] and go to Modems tab. Make sure SmartLink 56K Voice Modem or Uniwill V.92 Modem is listed. Otherwise, click the Add button to add the modem drive, which is located in the factory CD-ROM (or floppy diskette).
- Go to [Start > Settings > Control Panel > System] and click the Device Manager button in the Hardware page to check for possible resource or driver conflict. See Windows online help or the Windows manual for how to handle such problems.
- Make sure the phone line, which the computer is connected to, is working.

### Connection difficulties

- Be sure to disable Call Waiting on the phone line.
- Be sure to have the correct country setting where your computer is used. [Start > Settings > Control Panel > Modem Settings > Configuration] In the Country/Area pull-down menu, select the appropriate country setting.
- Excessive line noise might cause the connection to be dropped. To check this, put the regular phone handset on the line and place a phone call. If you do hear abnormal noise, try to make the modem connection with a different line or contact your local telephony company for service.
- Make sure the cable connection is firm.
- Try a different receiver number and see if the problem persists.





## Network Adapter / Ethernet Problems

### The Ethernet adapter does not work

- Go to [Start > Settings > Control Panel > System > Hardware > Device Manager]. Double-click on Network Adapters and check if Realtek RTL8510EX Family Fast Ethernet NIC appears as one of the adapters. If it does not exist, Windows has not detected the Realtek RTL8510EX Family Fast Ethernet NIC or the device driver has not been installed properly. If there is a yellow mark or red cross on the network adapter, it may be a device or resource conflict. Replace or update the device driver from the factory CD-ROM disk or consult the Windows manual on how to solve the resource conflict problem.
- Make sure the physical connections on both ends of the cable are good.
- The hub or concentrator may not be working properly. Check to see if other workstations connected to the same hub or concentrator are working.

### The Ethernet adapter does not appear to operate in the 100/1000Mbps transmission mode

- Make sure the hub you are using supports 100/1000Mbps operation.
- Make sure that your RJ-45 cable meets the 100/1000Base-TX requirements.
- Make sure the Ethernet cable is connected to the hub socket that supports 100/1000Base-TX mode. The hub may have both 100Base-TX and 1000Base-T sockets.



## PC Card / PCMCIA Problems

Note: Some systems may not have the PC Card Slot option.

### PC Cards do not function

- Make sure you have properly installed the driver for the card.
- Consult the card's manual or contact the vendor for troubleshooting.

### The PC card cannot be recognized

- Windows NT4.0 does not support the PCMCIA (PC Card) function. You may need an external program for this.
- Make sure the card is fully inserted; the outer end of the card should be even with the edge of the computer.
- Remove and insert the PC card again.
- Make sure there is no IRQ conflict with the card. See Windows online help for solving IRQ conflicts.
- Reboot the computer and see if the problem persists.
- The card may be defective. Try the card on another system, if possible.

### Windows crashes or freezes when you remove the PC card

- Make sure you have clicked <Stop> before removing the PC card. Double-click the Safely Remove Hardware icon at the lower right corner of the task bar and select the card you wish to stop. When you click <Close>, Windows will prompt you to remove the card a few seconds later.





## Performance Problems

### The computer becomes hot

- In a 35°C environment, certain areas of the computer's back case are expected to reach 50 degrees.
- Make sure the air vents are not blocked.
- If the fan does not seem to be working at high temperature (50 degrees Celsius and up), contact the service center.
- Certain programs that are processor-intensive may increase the computer temperature to a degree where the computer automatically slows down its CPU clock to protect itself from thermal damage.

### The program appears to have stopped or runs very slowly -

- Press CTRL+ALT+DEL to see if an application is still responding.
- Restart the computer.
- This may be normal for Windows when it is processing other CPU-intensive programs in the background or when the system is accessing slow-speed devices such as the floppy disk drive.
- You may be running too many applications. Try to close some applications or increase system memory for higher performance.
- The processor may have been overheated due to the system's inability to regulate its internal heat. Make sure the computer's ventilation grills are not blocked.





## Firewire (IEEE1394) and USB2.0 Problems

### The USB device does not work

- Windows NT 4.0 does not support USB protocols.
- Check the settings in the Windows Control Panel.
- Make sure you have installed the necessary device drivers.
- Contact the device vendor for additional support.

### The IEEE1394 port does not work

- Go to [Start > Settings > Control Panel > System > Hardware > Device Manager]. You should see an entry which reads “Texas Instrument OHCI Compliant IEEE 394 Host Controllers”. If it does not exist, Windows has not detected the host controller or the device driver has not been installed properly. If there is a yellow mark or red cross on the 1394 host controller, it may be a device or resource conflict. Replace or update the device driver from the factory CD-ROM disk or consult the Windows manual on how to solve the resource conflict problem.
- Make sure the cable is fully connected.
- Make sure you have installed the necessary device drivers.
- Contact the device vendor for additional support.



## APPENDIX A PRODUCT SPECIFICATIONS







### Processor and Core Logic

- Mobile Intel Pentium Core 2 Duo (Napa) Dual Core, up to 2.33GHz, 2 MB L2 cache, 667MHz FSB or
- Mobile Intel Pentium M (Napa) Single Core, up to 1.83GHz, 2MB L2 cache, 667MHz FSB
- Intel Calistoga 945PM + ICH7-M chipset with audio, modem, and USB2.0 controllers integrated
- 533/667 MHz DDR2 interface

### System Memory

- DDR2 SDRAM 677MHz, PC2 5300 compatible
- 256 / 512 / 1024MB/ 2GB, 2.5-Volt 64-bit bus
- Two 200-pin DIMM sockets, Max 2 GB

### Display

- 15.4-inch (1280x800) WXGA TFT display with 24-bit colors or 15.4-inch (1920x1200) WUXGA TFT display with 24-bit colors.
- PCI Express bus architecture graphics capability
- Hardware Motion Compensation and IDCT Supported for MPEG1/2 Playback
- DirectX compatible
- (Integrated with graphics accelerator)

### Audio

- Intel (ICH7M) integrated audio controller
- Realtek ALC880
- DirectSound 3D, EAX 1.0 & 2.0 compatible
- A3D, I3DL2 compatible
- AC97 V2.3 compatible
- 7.1 Multi-channel compatible (through S/PDIF)
- Supports Azalia standard
- 2 Stereo Speakers with 1 Subwoofer





## Alienware Area-51 m5550 Technical Reference

---

### Modem

- Intel (ICH7M) integrated Modem Controller with MDC card, AC97 V2.2 Modem support
- V.92 / V.90 / K56flex for download data speed up to 56Kbps.
- V.34, V.17, V.29 protocol supported

### Wireless LAN

- Intel PRO/Wireless 3945ABG, MiniCard Interface
- IEEE802.11 A&B&G

### LAN / Ethernet

- Realtek 8110 Ethernet function for 10/100/1000Base-TX network standards
- Windows 2000 / XP Plug and Play compatible
- Automatic Jam and auto-negotiation for flow control
- Auto Negotiation and Parallel detection for automatic speed selection (IEEE 802.3u)
- High performance 32-bit PCI bus master architecture with integrated DMA controller for low CPU and bus utilization
- Remote Wake-up Scheme supported
- Hot Insertion supported

### Firewire IEEE1394(a)

- TI TSB43AB22A IEEE1394 OHCI Host Controller and
- Up to 400 Mbps
- Expandable up to 63 devices in chains

### Storage

- 2.5-inch format hard disk drive
- 5.25-inch format (12.7mm height) fixed module (Optional Purchase)
- 5.25-inch format (12.7mm height) fixed module (Optional Purchase)





### Keyboard & Touch pad

- 88-key QWERTY keyboard with embedded numeric keypad and Windows keys, 19.05mm Pitch
- Built-in Touch Pad with Disable / Enable Touch Pad button

### Express Card (New Card) & Multiple Card Reader

- Genesys GL817E (Card Reader)
- Single Slot, 34mm and 54mm type supported
- Multimedia Card (MMC), Secure Digital Card (SD), Memory Stick (MS), and MS Pro Card

### Ports and Connectors

- One Microphone-in jack
- One Headphone / SPDIF jack
- One Firewire (IEEE1394) host connector
- Three USB2.0-compliant connectors
- One standard network Ethernet connector (RJ-45)
- One modem / phone connector (RJ11)
- One S-video (TV-out) output connector
- One DC-in connector
- One DVI-I video connector
- One 4-in-1 Card Reader slot
- One New Card Slot (type 54 / 34)
- One VR Dial for audio/speaker volume

### Battery Pack / AC Adapter

- Li-ion 6-Cell pack, 10.8V x 4400 mAH
- Low battery state with low battery warning beep
- Uniwill SmartPower II Power Management
- Smart Battery Compliant; low battery warning beep
- Long Battery Life Mode and Silent Mode
- Autosensing AC-in 100~240V, DC-out 20V, 90W





## Alienware Area-51 m5550 Technical Reference

---

### BIOS

- Phoenix PnP BIOS
- Power On Self Test
- DRAM auto-detection, auto-sizing
- L2 Cache auto-detection
- Hard disk type auto-detection
- APM 1.2 (Advanced Power Management) &
- ACPI 2.0 (Advanced Configuration Power Interface)
- Two Level Password Protections
- 32bit access, Ultra DMA, PIO5 Mode support
- Multi-boot capability
- Compatible with Microsoft Windows XP / MCE Home Edition

### Physical Specification

- 360 (W) x 269 (D) x 25-37.1 (H) mm
- 6.8 lbs / 3.1 KG (with 15.4"LCD, DVD-ROM Drive, and 6-cell battery pack)
- Operating Temperature: 5 to 35oC (41 to 95oF)
- Operating Humidity: 20 to 80 percent RH (5 to 35oC)
- Storage Temperature: -15 to 50oC (-5 to 122oF)





## **APPENDIX B**

### **AGENCY REGULATORY NOTICES**





## Alienware Area-51 m5550 Technical Reference

### Federal Communications Commission Notice

This equipment has been tested and found to comply with the limits for a Class B digital device, pursuant to Part 15 of the FCC Rules. These limits are designed to provide reasonable protection against harmful interference in a residential installation. This equipment generates, uses, and can radiate radio frequency energy and, if not installed and used in accordance with the instructions, may cause harmful interference to radio communications. However, there is no guarantee that interference will not occur in a particular installation. If this equipment does cause harmful interference to radio or television reception, which can be determined by turning the equipment off and on, the user is encouraged to try to correct the interference by one or more of the following measures:

- Reorient or relocate the receiving antenna.
- Increase the separation between the equipment and the receiver.
- Connect the equipment into an outlet on a circuit different from that to which the receiver is connected.
- Consult the dealer or an experienced radio or television technician for help.

### Modifications

The FCC requires the user to be notified that any changes or modifications made to this device that are not expressly approved by the manufacturer may void the user's authority to operate the equipment.

### Connections to Peripheral Devices

Connections to this device must be made with shielded cables with metallic RFI/EMI connector hoods to maintain compliance with FCC Rules and Regulations.

### Declaration of Conformity

This device complies with Part 15 (CLASS B)/68 the FCC Rules. Operation is subject to the following two conditions: (1) this device may not cause harmful interference, and (2) this device must accept any interference received, including interference that may cause undesired operation.





## European Notice

Products with the CE Marking comply with both the EMC Directive (89/336/EEC) and the Low Voltage Directive (73/23/EEC) and R&TTE Directive (1999/5/EC) issued by the Commission of the European Community.

Compliance with these directives implies conformity to the following European Norms:

- EN55022 : 1998+A1: 2000+A2: 2003, CLASS B
- EN61000-3-2 : 2000
- EN61000-3-3 : 1995+A1: 2001
- EN55024 : 1998+A1 : 2001+A1: 2003
- IEC61000-4-2: 2001
- IEC61000-4-3:2002+A1:2002
- IEC61000-4-4:1995+A1:2000+A2:2001
- IEC61000-4-5:2001
- IEC61000-4-6:2001
- IEC61000-4-8:2001
- IEC61000-4-11:2001
- EN50082 (IEC801-2, IEC801-3, IEC801-4) Electro-magnetic Immunity
- EN 300 328-2, EN 300 328-1, EN 301 489-1, EN 301 489-17 (ETSI 300 328, ETSI 301 489) Electro-magnetic Compatibility and Radio Spectrum Matter.
- TBR21 ( ETSI TBR21) Terminal Equipment.
- EN60950 (IEC950) I.T.E. Product Safety

## Canadian Notice

This digital apparatus does not exceed the Class B limits for radio noise emissions from digital apparatus as set out in the radio interference regulations of the Canadian Department of Communications.

Le present appareil numerique nemet pas de bruits radioelectriques depassant les limites applicables aux appareils numeriques de Classe B prescrites dans le reglement sur le brouillage radioelectrique edicte par le Ministere des Communications du Canada.





## Power Cord Requirement

The power cord supplied with the AC adapter should match the plug and voltage requirements for your local area. Regulatory approval for the AC adapter has been obtained using the power cord for the local area. However, if you travel to a different area and need to connect to a different outlet or voltage, you should use one of the power cords listed below. To purchase a power cord (including one for a country not listed below) or a replacement AC adapter, contact your local dealer.

### U.S. and Canada

- The cord set must be UL-Listed and CSA-Certified or C-UL Listed.
- The minimum specifications for the flexible cord are (1) No. 18 AWG, (2) Type SJ, and (3) 3-conductor.
- The cord set must have a rated current capacity of at least 10 A.
- The attachment plug must be an earth-grounding type with a NEMA 5-15P (15A, 125V) or NEMA 6-15P (15 A, 250V) configuration.

### Japan

- All components of the cord set (cord, connector, and plug) must bear a `PSE` mark and registration number in accordance with the Japanese Dentori Law.
- The minimum specifications for the flexible cord are: (1) 0.75 mm<sup>2</sup> conductors, (2) Type VCT or VCTF, and (3) 3-conductor.
- The cord set must have a minimum rated current capacity of 7 A.
- The attachment plug must be a two-pole, grounded type with a Japanese Industrial Standard C8303 (15 A, 125 VAC) configuration.





## Other Countries

The cord set fittings must bear the certification mark of the agency responsible for evaluation in a specific country. Acceptable agencies are:

- BSI (UK)
  - OVE (Australia)
  - CEBEC (Belgium)
  - SEMKO (Sweden)
  - FIMKO (Finland)
  - DEMKO (Denmark)
  - NEMKO (Norway)
  - SETI (Finland)
  - EANSW (Australia)
  - SEV (Switzerland)
  - IMQ (Italy)
  - UTE (France)
  - CCC (China)
  - PSB (Singapore)
  - PSE (Japan)
  - BSMI (Taiwan)
  - B (Polish)
  - VDE (Germany)
  - SASO (Saudi Arabia)
- 
- The flexible cord must be of a HAR (harmonized) type HO5VV-F 3-conductor cord with a minimum conductor size of 0.03 square inches.
  - The minimum specification for the flexible cord for Class II product are: (1) 2X0.75 mm<sup>2</sup> conductors, (2) 2-conductor cord.
  - The cord set must have a current capacity of at least 10 A and a nominal voltage rating of 125 / 250 VAC.

**CAUTION: MODEL P53IAx IS DESIGNED TO USE WITH THE FOLLOWING AC ADAPTER MODEL ONLY**

Manufacture: Li-Shin INC, LITE-ON ELECTRONICS, INC.

Model: LSE0202C2090 (90W), LSE0202D2090 (90W), PA-1900-05 (90W), PA-1900-06 (90W)





## Alienware Area-51 m5550 Technical Reference

### Telephone Lines Requirement

The appropriate utilization of a 26AWG telephone line cord on the unit.

**CAUTION:** Always disconnect all telephone lines from the wall outlet before servicing or disassembling this equipment.

**CAUTION:** To reduce the risk of fire, use only a No. 26AWG or larger telecommunication line cord.

### Battery Pack Safety

- The battery pack is intended to use only with this notebook.
- Do not disassemble the pack.
- Do not dispose of the battery pack in fire or water.
- To avoid risk of fire, burns, or damage to your battery pack, do not allow a metal object to touch the battery contacts.
- Handle a damaged or leaking battery with extreme care. If you come in contact with the electrolyte, wash the exposed area with soap and water. If it contacts the eye, flush the eye with water for 15 minutes and seek medical attention.
- Do not charge the battery pack if the ambient temperature exceeds 45°C (113°F).
- To obtain a replacement battery, contact your local dealer.
- Do not expose the battery pack to high storage temperatures (above 60°C, 140°F).
- When discarding a battery pack, contact your local waste disposal provider regarding local restrictions on the disposal or recycling of batteries.
- Use only the supplied AC Adapter for charging.

**CAUTION:** Danger of explosion if battery is incorrectly replaced. Replace only with same or equivalent type recommended by the manufacturer. Discard used batteries according to the manufacturer's instructions or local laws.

**VORSICHT!** Explosionsgefahr bei unsachgemäßen Austausch der Batterie. Ersatz nur durch denselben oder einem vom Hersteller empfohlenem ähnlichen Typ. Entsorgung gebrauchter Batterien nach Angaben des Herstellers.





### Laser Safety

The optical drive used with this computer is certified as a Class 1 laser device according to the U.S. Department of Health and Human Services (DHHS) Radiation Performance Standard and International Standards IEC 825 / IEC 825-1 (EN60825 / EN60825-1). The device is not considered harmful, but the following precautions are recommended:

- Do not open the unit.
- Avoid direct exposure to the laser beam.
- If the unit requires service, contact an authorized service center.
- Ensure proper use by reading and following the instructions carefully.
- Do not attempt to make any adjustment of the unit.

CLASS 1 LASER PRODUCT  
APPAREIL A LASER DE CLASSE 1  
LASERSCHUTZKLASSE 1 PRODUKT

### Warning!

Do not attempt to disassemble the cabinet containing the laser. The laser beam used in this product is harmful to the eyes. The use of optical instruments, such as magnifying lenses, with this product increase the potential hazard to your eyes. For your safety, have this equipment serviced only by an authorized service provider.

### Lithium Battery Warning / Bridge Battery Warning

This computer contains a lithium battery to power the clock and calendar circuitry.

**CAUTION:** Danger of explosion if battery is replaced incorrectly. Replace only with the same or equivalent type recommended by the manufacturer. Discard used batteries according to the manufacturer's instructions.

**ATTENTION:** Il y a danger d'explosion s'il y a remplacement incorrect de la batterie. Remplacer uniquement avcc unc batterie du meme type ou d'un type recommande par le constructeur. Mettre au rebut les batteries usagees conformement aux instructions du fabricant.

**VORSICHT!** Explosionsgefahr bei unsachgemBen Austausch der Batterie Ersatz nur durch denselben oder einem vom Hersteller empfohlenem ahnlichen Typ. Entsorgung





## Alienware Area-51 m5550 Technical Reference

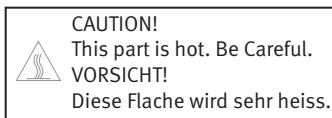
gebrauchter Batterien nach Angaben des Herstellers.

Der Arbeitsplatzbezogene Schalldruckpegel nach DIN 45 635 beträgt 70dB (A) oder weniger.

Zum Netzanschlus dieses Gerates ist eine geprüfte Leitung zu verwenden. Fur einen Nennstrom bis 6A und einem Gerategewicht groBer 3kg ist eine Leitung nicht leichter als (1)H05VV-F, 3G, 0.75mm<sup>2</sup> (2)2X0.75 mm<sup>2</sup> conductors einzusetzen.

Die Steckdose muB nahe dem Gerat angebracht und leicht zuganglich sein.

When you see this symbol, be careful as this spot may be very hot.



## Ethernet

Your computer is equipped with a 10/100/1000Base-TX Fast Ethernet network adapter. Connect the active LAN cable to the RJ-45 LAN port located on the left side of the computer. This allows you to access and transmit data in the local area network.

### Connecting to the Network

Use Unshielded Twisted Pair (UTP) Ethernet cable only.

1. Insert one end of the UTP cable into the network connector until the connector snaps securely into the receptacle.
2. Either connect the other end of the cable to an RJ-45 jack wall outlet or to an RJ-45 port on a UTP concentrator or hub in the network.

### Cabling Restriction for Networks

The following restrictions should be observed for 10/100/1000BASE-TX networks: The maximum cable run length is 100 meters(m) (328 feet[ft]).

For 100Mbps or 1000Mbps operations, use Category 5 wiring and connections.

Note: Consult your Windows manual and/or Novell Netware user's guide for the software installation, configuration, and operation of the network.